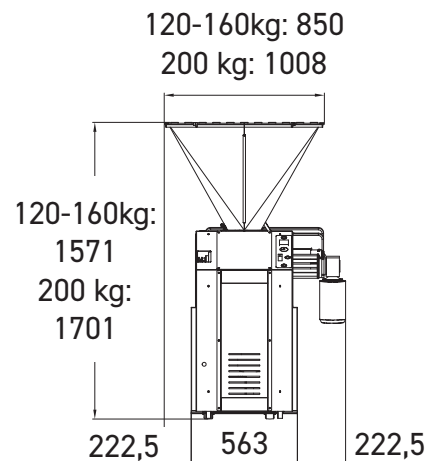
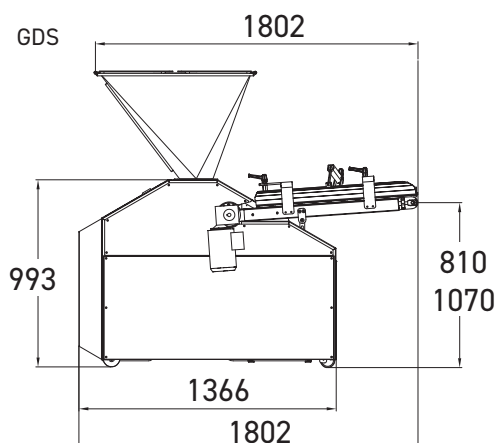
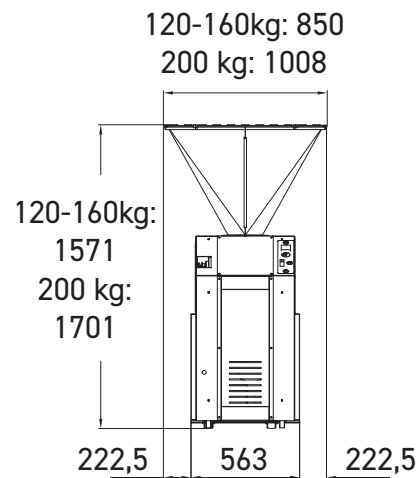
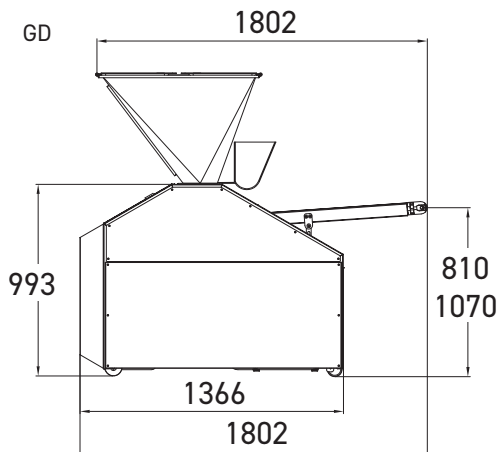


GD GDS

- ✓ Open hopper volumetric divider
- ✓ Stainless steel exterior
- ✓ Regularity
- ✓ Strong pace
- ✓ Built-in flour dispenser (optional on the GDS)
- ✓ Pre-rounding of dough pieces (only on the GDS)



960 to 2000 pieces an hour

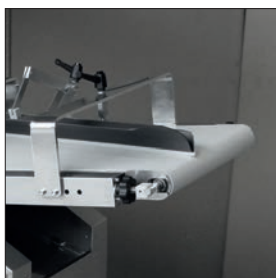




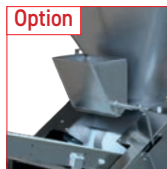
Outfeed belt scraper
The belt is kept clean throughout use.



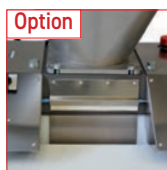
Oil recycling system
Reduces oil consumption.
Fitted with a filter and a low level alert.



GDS
Adjustable pre-rounding tile
For pre-rounding dough pieces with different weights.



GDS
Built-in flour dispenser
Prevents the dough pieces from sticking to the belt.



GDS
Dough piece lubrication



Réglage poids automatique

FEATURES

	GD	GDS
Adjustable speed in pieces per hour	960 - 2000	960 - 2000
Teflon-coated hopper, capacity in kg	120	120
Programmable counter, countdown counter	•	•
Stainless steel drum	•	•
Triple-seal Rilsan piston	•	•
Stainless steel exterior	•	•
Outfeed belt width in mm	270	500
3-litre flour dispenser	•	
Outfeed belt scraper	•	•
Adjustable pre-rounding tile		•
Oil recycling system	•	•
Motor power in kW	2.2	2.2
Power supply	400V three-phase	400V three-phase
Net weight in kg	525	575

CHOICES

Outfeed belt length in mm	1060 or 1240	1060
---------------------------	--------------	------

OPTIONS

3-litre flour dispenser	n/a	•
Dough piece lubrication	n/a	•
160 kg capacity Teflon-coated stainless-steel hopper	•	•
200 kg capacity Teflon-coated stainless-steel hopper	•	•
Automatic weight adjustment	•	•
Outfeed belt with independent motor (automated production line version)	•	n/a
Remote control	•	•
Dough piece rolling belt	n/a	•
Extracting dough pieces device	•*	•*
Power supply 230V single phase	•	•
Power supply 230V three phase	•	•

*Standard on 80-mm and 100-mm pistons.

	80 MM PISTON	100 MM PISTON	110 MM PISTON	120 MM PISTON	130 MM PISTON
Max/min weight of dough pieces in grams	30 / 370	50 / 700	70 / 850	90 / 1.000	130 / 1.300