

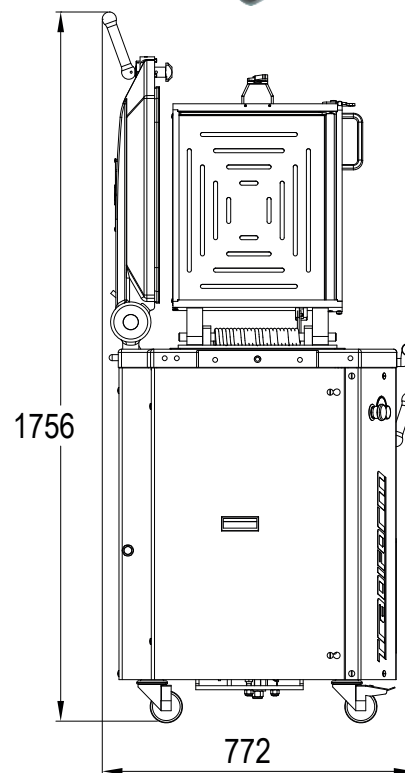
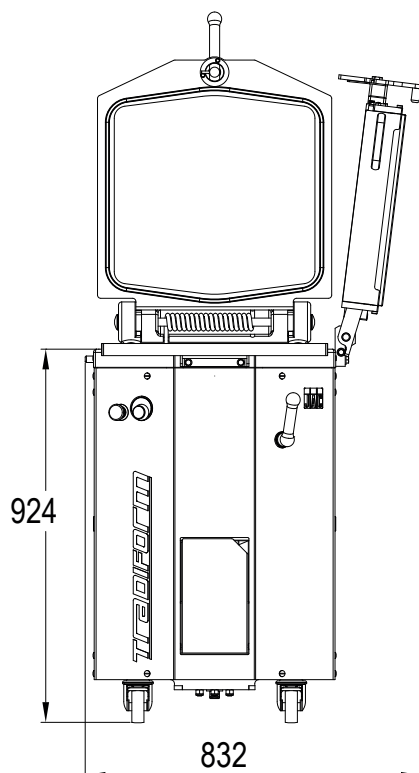
# TRADIFORM

- ✓ Modular solution with cutting-forming grids
- ✓ Quick, efficient execution
- ✓ Versatility
- ✓ Minimal space required
- ✓ Pressure plate
- ✓ Stainless steel exterior

Division in the tank of up to 900 pieces an hour

Division and forming up to 3000 pieces an hour\*

\*depending on type of grid used





## Easylock

**Automatic grid holder locking system**  
On closing, the grid holder locks automatically and starts the automatic dividing cycle.



This extremely tough treatment is impregnated into the material; its exceptional non-stick qualities improve over time.



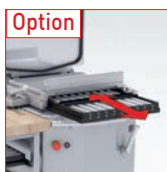
**Adjustable pressure**  
Prevents de-gassing of the different types of dough.



**Flour splash prevention system**  
Prevents flour dispersal.



**Stainless steel tank and knives**  
Includes automatic retraction for easy maintenance.



## click&cut!

Quick grid changing system



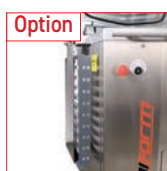
## Fullmatic

**Automatic grid holder locking system**  
On closing, the grid holder locks automatically and starts the automatic dividing cycle.

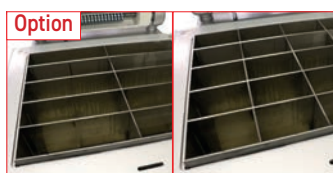


## Easyflour

Easyflour built-in flour dispenser



Left and/or right side grid storage



**10 / 20 divisions**  
Allows working in 10 divisions (230mm x 75mm) or 20 divisions (115mm x 75mm)

### FEATURES

### TRADIFORM

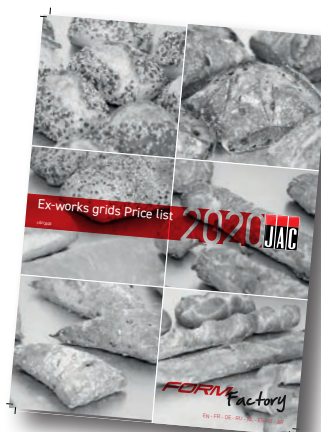
Dimensions of tanks (L x W x H) in mm	460 x 387 x 125
Dimensions of heads (L x W) in mm	115 x 75
Min/max weight of dough pieces in grams	150 / 950
Tank capacity in litres	19
<b>Easylock</b>	•
Pressure plate	•
Automatic knife retraction	•
Flour splash prevention system	•
Min / max weight in grams in 10-division position	300 / 1900
Motor power in kW	1.5
Net weight in kg (including frame)	285

### CHOICES

Power supply	230V three-phase 400V three-phase
--------------	--------------------------------------

### OPTIONS

<b>click&amp;cut!</b>	•
10 / 20 divisions	•
Left or right side grid storage	•
Grid storage extension	•
Power supply 230V single phase 50-60Hz (not compatible with 10/20 divisions option)	•
Power supply 230-380V three-phase 60Hz	•
Wood case packing	•
<b>Fullmatic</b>	•
<b>Easyflour</b>	•
Training 2 days	•



**The grids catalogue offers more than 100 different grids. The choice is yours!**